

Specification :

Part Name	Material Name
Body & Bonnet	FC200, Cast Iron
Disc	FC200, Cast Iron
Stem	SUS410
Seat	SUS304
Actuator	Handwheel
End Standard	JIS 10K Flanged
Pressure Range	Up to 10Kg/cm ²
Temperature Range	0 to 200 °C
Fluid	Water, Oil, Gas, Steam

Testing Standard (Water) :

Standard	Value
Pressure Test	10 Kg/cm ²
Seat Test	12 Kg/cm ²
Shell Test	14 Kg/cm ²
Air Test	6 Kg/cm ²

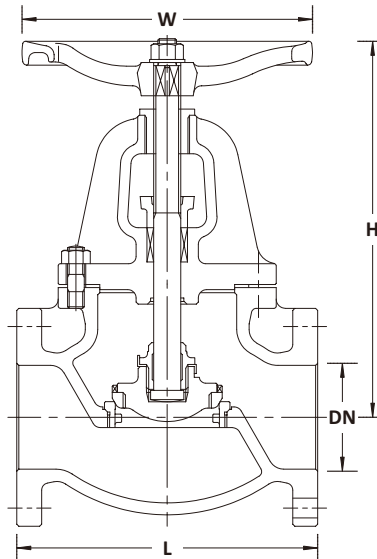
Applicable Standard :

Standard	Value
Design Standard	JIS B2031, 10K
Face to face	JIS B2239, 10K
End Standard	JIS B2031, 10K
Pressure Rating	JIS B2003, 10K

Dimensions :

mm

Size	Inch	2"	2-1/2"	3"	4"	5"	6"	8"	10"	12"
	DN	50	65	80	100	125	150	200	250	300
L Face-to-face		180	190	200	230	250	270	290	330	350
H Height (Open)		343	390	452	537	621	718	920	1113	1308
W Handwheel		190	190	210	240	260	270	300	350	390



Specification :

Part Name	Material Name
Body & Bonnet	FC200, Cast Iron
Disc	FC200, Cast Iron
Stem	SUS410
Seat	SUS304
Actuator	Handwheel
End Standard	JIS 10K Flanged
Pressure Range	Up to 10Kg/cm ²
Temperature Range	0 to 200 °C
Fluid	Water, Oil, Gas, Steam

Testing Standard (Water) :

Standard	Value
Pressure Test	10 Kg/cm ²
Seat Test	12 Kg/cm ²
Shell Test	14 Kg/cm ²
Air Test	6 Kg/cm ²

Applicable Standard :

Standard	Value
Design Standard	JIS B2031, 10K
Face to face	JIS B2239, 10K
End Standard	JIS B2031, 10K
Pressure Rating	JIS B2003, 10K

Dimensions :

mm

Size	Inch	2"	2-1/2"	3"	4"	5"	6"	8"
	DN	50	65	80	100	125	150	200
L Face-to-face		203	216	241	292	356	406	495
H Height (Open)		305	327	348	377	453	473	576
W Handwheel		200	200	240	280	280	360	450